

NDP-32 Specifications

Port Dimensions (50.2 GPM Max.)

Intake & discharge connection:

Aluminum (ADC-12)	1-1/2" Fluid Intake Port
	1-1/4" Fluid Discharge Port (NPT)
Air inlet (incl. ball valve):	3/8" Female NPT
Air exhaust (incl. silencer):	3/4" Female NPT

Maximum Liquid Temperature*

Diaphragm Material	Temperature
Buna N	180°F (82°C)
Santoprene® (TPO)	180°F (82°C)
PTFE	212°F (100°C)

*The maximum liquid temperature for metal pumps is determined by the elastomer (diaphragm material).

Air Supply Pressure (All Models)

20–100 PSI (1.4–7 kgf/cm²)

Discharge Volume Per Cycle

Rubber diaphragm: 0.176 gallons

PTFE diaphragm: 0.147

Maximum Cycles Per Minute

Rubber diaphragm: 285

PTFE diaphragm: 296

Maximum Size Solid

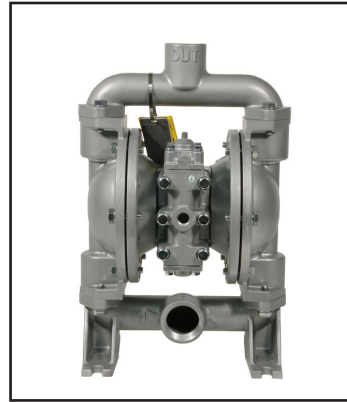
1/8" (3 mm)

Air Motor

Aluminum air motor is standard

Valve Type

Ball



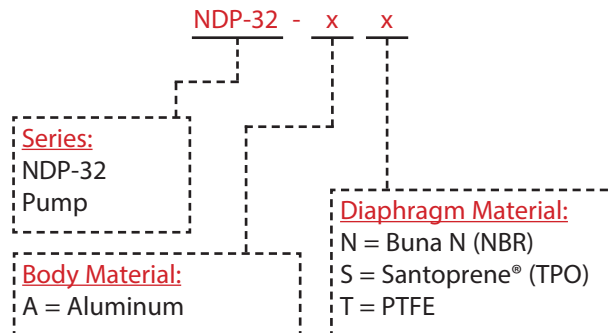
Aluminum (NPT)

Dimensions: 11.18"W x 16.87"H

Net Wt.: 26.5 lbs. (12.0 kg)

Shipping Wt.: 31.5 lbs.

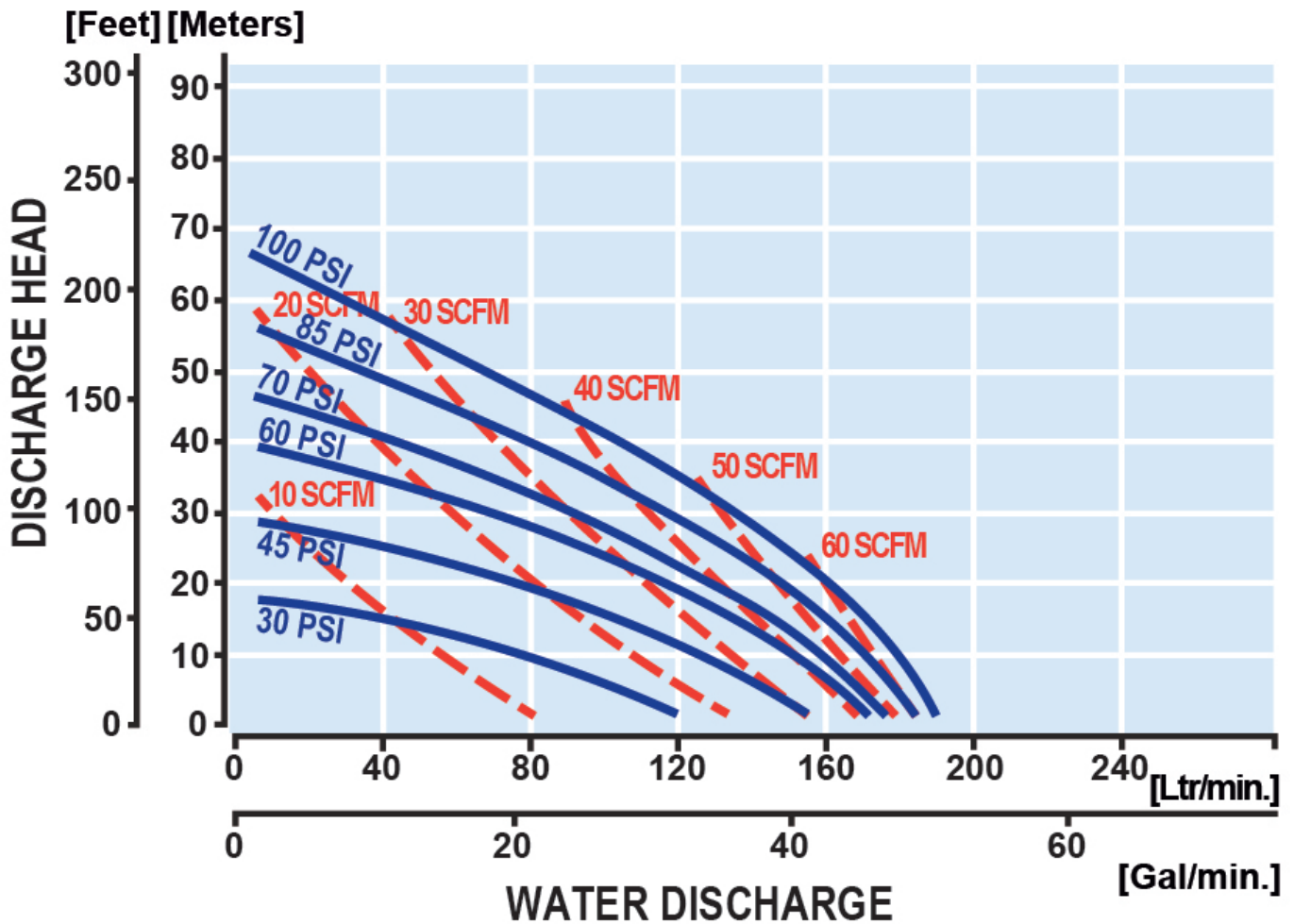
Model Number Nomenclature



Notes: Santoprene® fitted pumps include EPDM wetted o-rings.

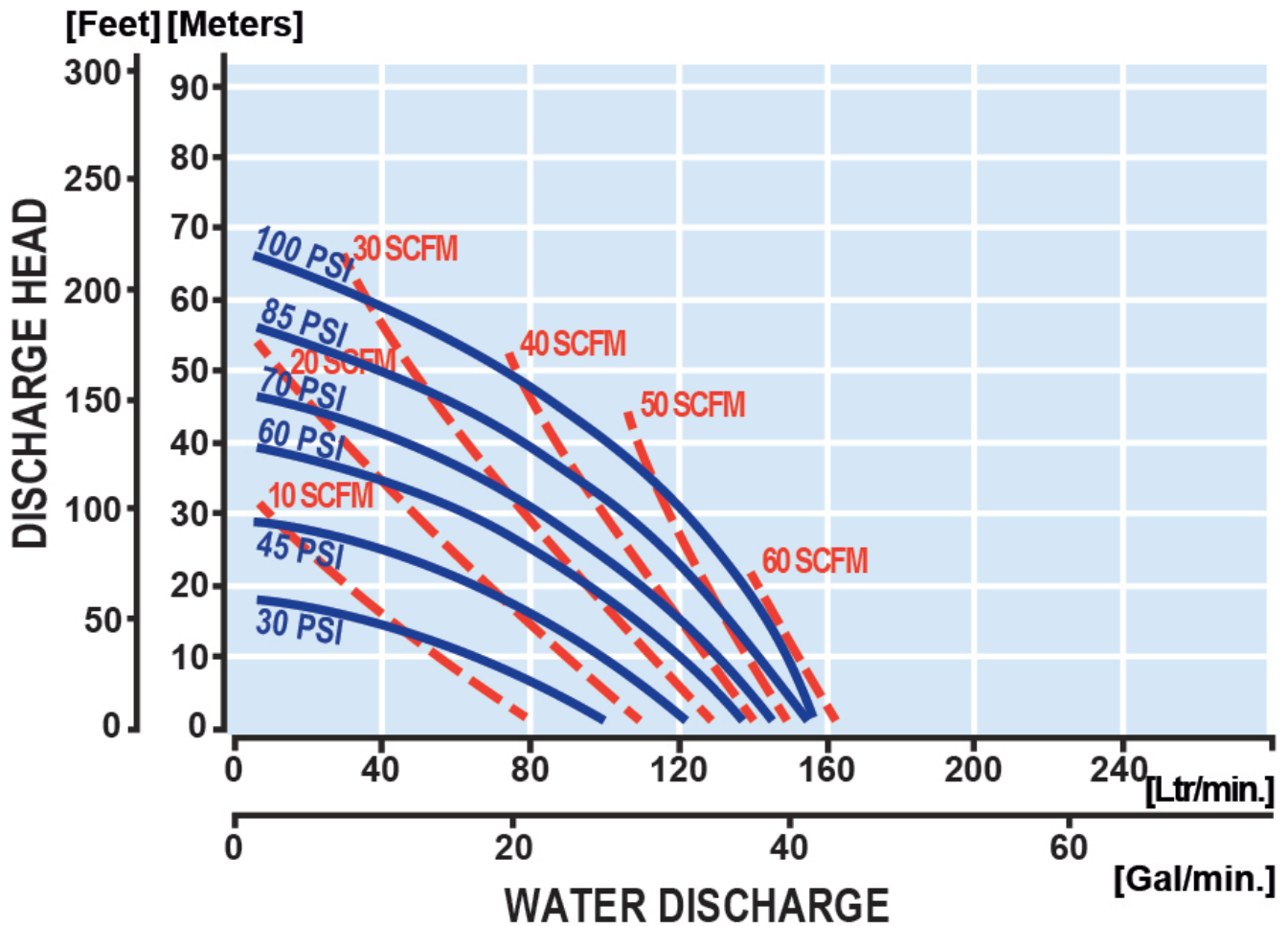
NDP-32 Performance Curve - Rubber

Rubber Diaphragm Performance Curve

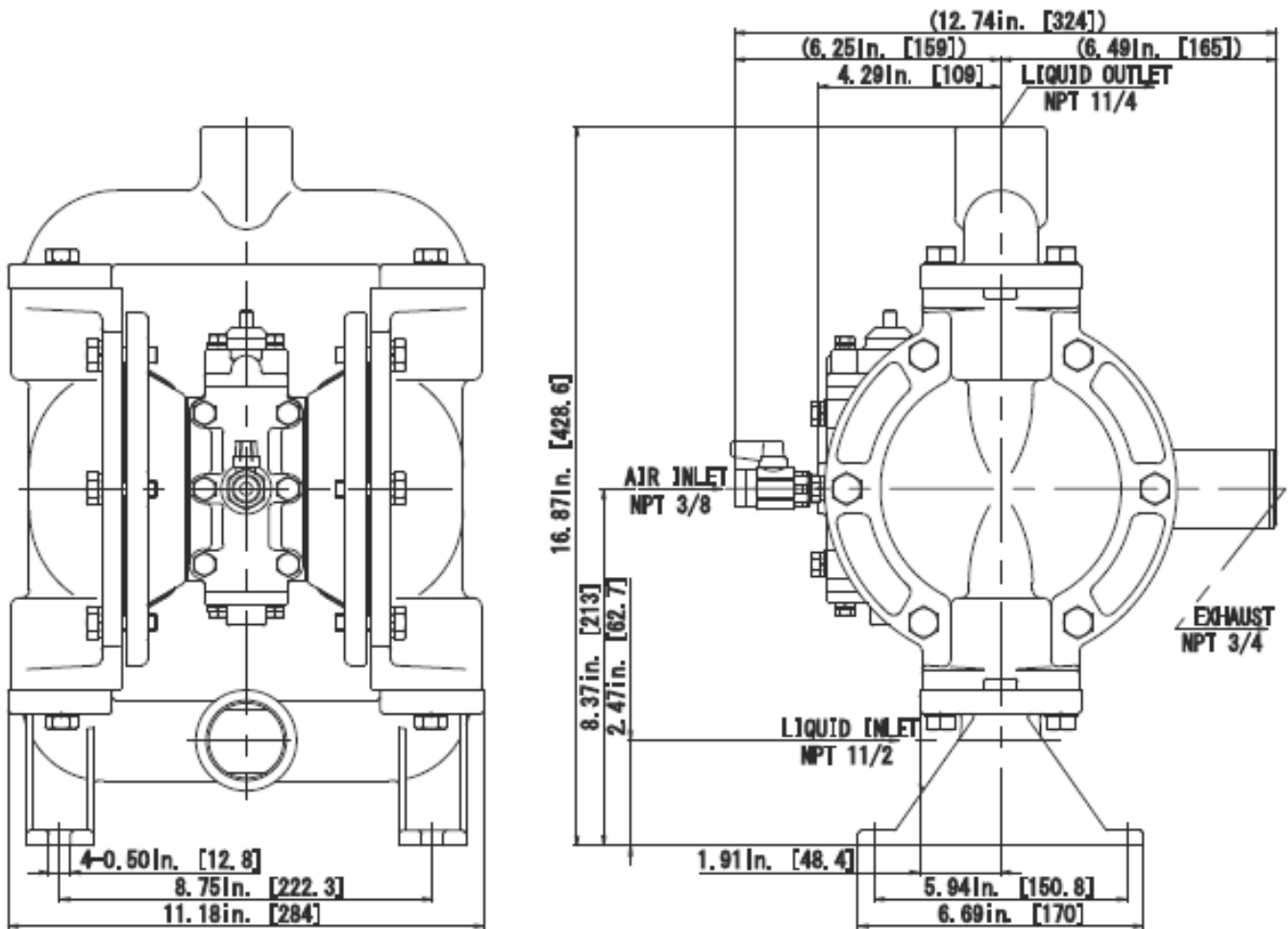


NDP-32 Performance Curve - PTFE

PTFE Diaphragm Performance Curve



NDP-32 DIMENSIONAL DRAWING



AutoCAD® is a registered trademark of Autodesk, Inc.

Hytrel® is a registered trademark of E.I. du Pont de Nemours and Company.

Kynar® is a registered trademark of Arkema.

Nordel™ is a trademark of DuPont Dow Elastomers.

Ryton® is a registered trademark of Chevron Phillips Chemical Company.

Santoprene® is a registered trademark of Advanced Elastomer Systems.

Viton® is a registered trademark of DuPont Performance Elastomers.

Swagelok™ & VCR™ are trademarks of the Swagelok Companies.

Flaretek® is a registered trademark of Entegris.

Garlock ONE-UP® is a registered trademark of W.L. Gore & Associates.

Yamada® is a registered trademark of Yamada America, Inc.

SolidPRO Designed to Pump Fluids Containing Solids® is a registered trademark of Yamada America, Inc.

Xtreme Duty Pro XDP® is a registered trademark of Yamada America, Inc.

The Proof's in the Pump® is a registered trademark of Yamada America, Inc.

The Proof is in the Pump® is a registered trademark of Yamada America, Inc.

Engineered to Perform. Designed to Outlast.™ is a trademark of Yamada America, Inc.

Due to Yamada's continued commitment to product improvement, specifications may change without notice.